

### Rechargeable Table Lamp

#### 1.Charging the Lamp

- 1.Peel of rubber cover which is behind of the Rechargeable Table Lamp.
- 2.Use USB-Type C Cable and charge at least 6 hours,
- 3.Table Lamp will continue to work 7 hours with maximum brightness setting.

#### 2.Operating the Lamp

- 1.Push the button
- 2.Turn the button to change the light intensity

#### 3.Caution

- Do not immerse the lamp in water or allow water to touch the contacts.
- Avoid using the lamp near fire or extreme heat.
- Do not throw or drop the lamp.
- Dispose of the lamp following your local garbage regulations.

#### 4.Product Specifications

Lamp Wattage: 2W

Input: DC 5V

LED Brightness:130lumens

Color Rendering Index(CRI): Ra >80

Default Brightness:100%

Charging Time: Min. 6 Hours (DC 5V,1A)

Battery Life: 7 hours at full brightness

Battery Type: 2000mAh Li-ion (2 unit)

Charging Dock: USB Type-C

Dimming: Turn the button to change the light intensity

Water Resistance: IP44

Protection Class: III

The individual lamp body can be used outdoors, as shown in Figure A

Those with handles cannot be used outdoors, as shown in Figure B.

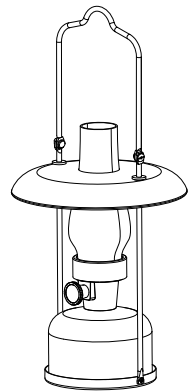


Figure A:

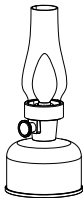
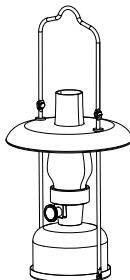
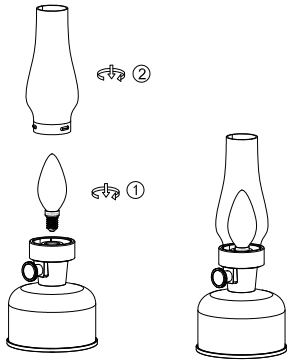


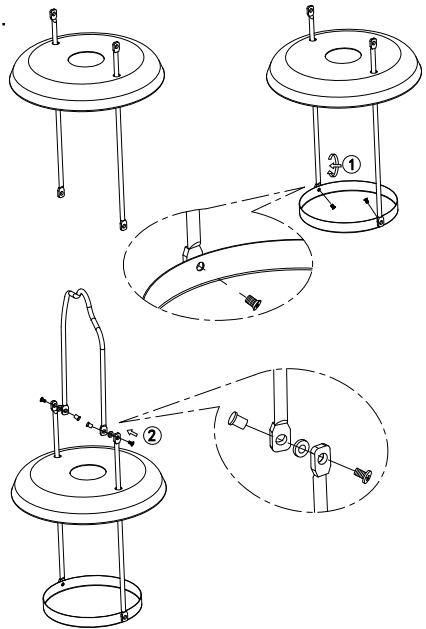
Figure B:



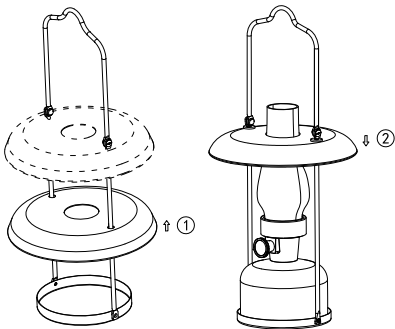
1.



2.



3.



4.

