

# Patera

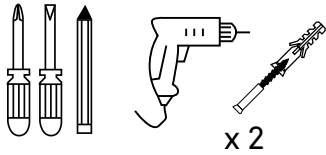
Instructions



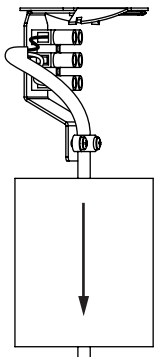
Art. no. 108506 Black / Clear  
Art. no. 108507 Black / Clear

Tools needed for installation:

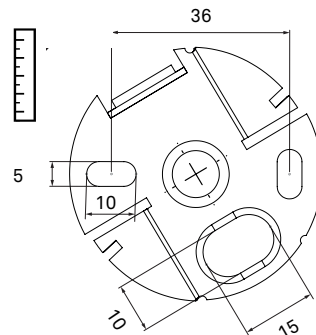
Light source E27



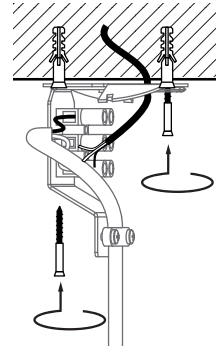
1.



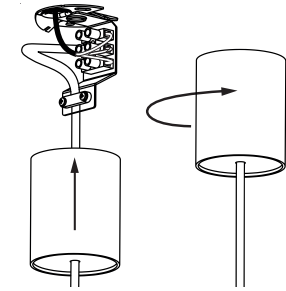
2.



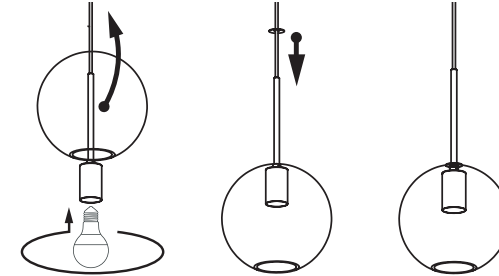
3.



4.



5.



## Each piece is unique

We would like to inform you that the air bubbles in the glass bowls are created as a result of the technological process of glass blowing and are a natural phenomenon that arises due to the introduction of air into the glass bulb in order to give it the desired shape.

## Maintenance and cleaning

Product may be cleaned only after they have been switched off and cooled down. Moisture must be prevented from getting to the lamp connections or power supplying elements. We recommend using only a damp cloth. No detergents. Do not wash glass bowl in dishwasher. After cleaning, the lamp should be left off until it dries completely.

Thank you for purchasing this product from Markslöjd.  
This product is made entirely or substantially in Europe.  
We hope you will enjoy using this product and follow these instructions to ensure correct installation and care.

If you have any questions or comments, please reach out to us by e-mail:  
[info@markslويد.com](mailto:info@markslويد.com)

