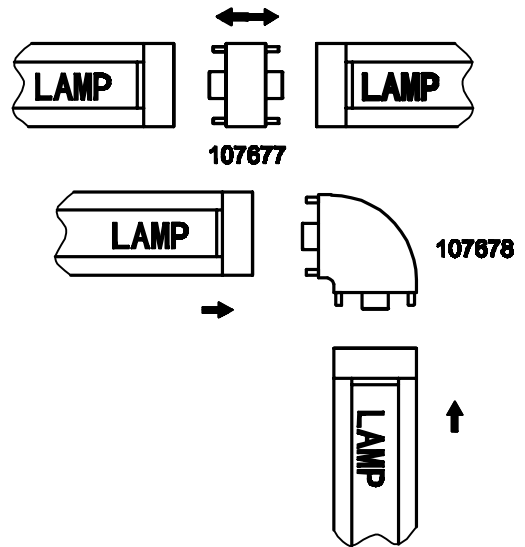
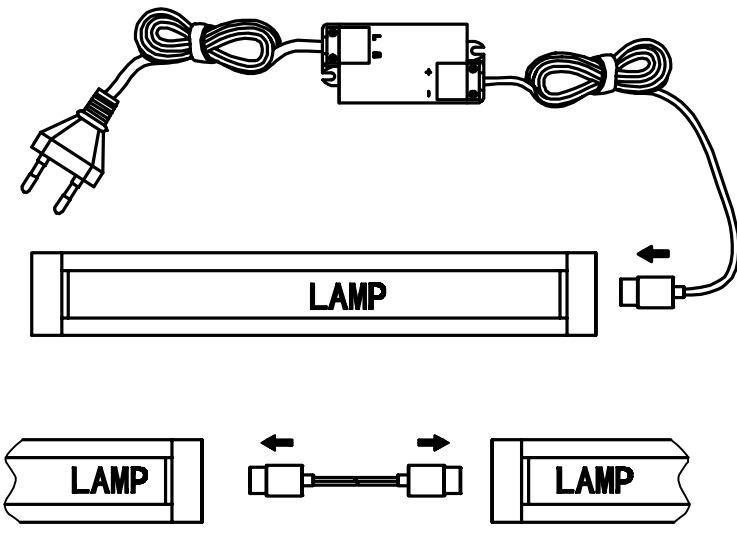


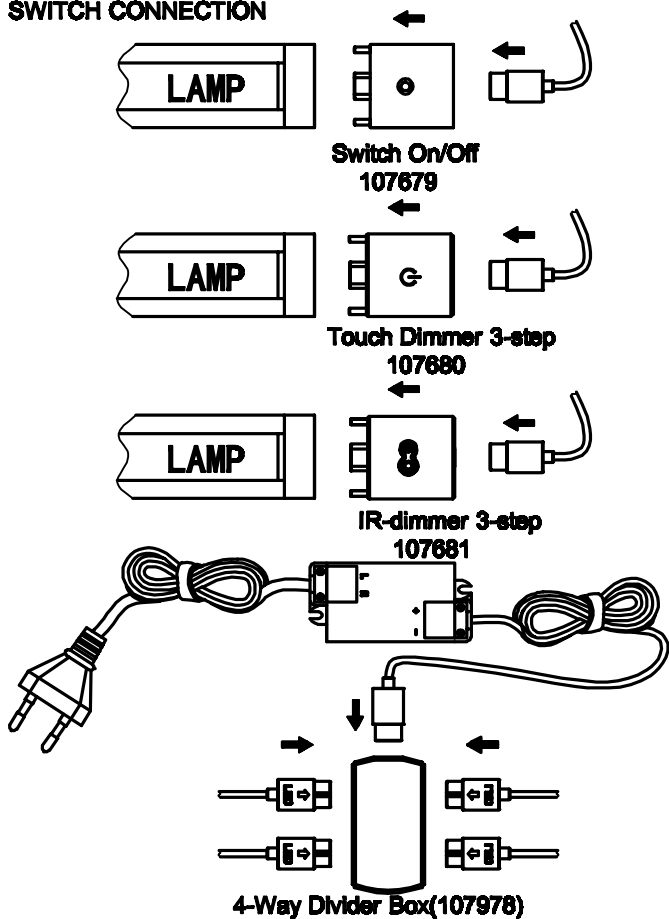
LED CABINET LAMP

www.markslojd.com

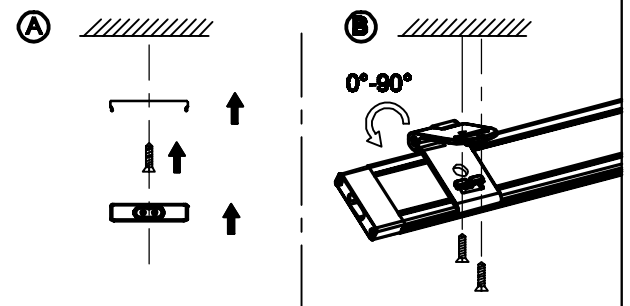
BASIC CONNECTION



SWITCH CONNECTION



BRACKET INSTALLATION



LED DRIVER SELECTION: The LED driver's power should be larger than the total power of lamps

LED TUBE	107674 0.3m/4.5W	107675 0.5m/7W	107676 1.0m/14W	107688 100mm/3W	107689 150mm/5W
LED DRIVER					
7W 24VDC 290mA	1 PCS	1 PCS	----	2 PCS	1 PCS
15W 24VDC 630mA	3 PCS	2 PCS	1 PCS	5 PCS	3 PCS
24W 24VDC 1000mA	5 PCS	3 PCS	1 PCS	8 PCS	4 PCS
36W 24VDC 1500mA	8 PCS	5 PCS	2 PCS	12 PCS	7 PCS
45W 24VDC 1875mA	10 PCS	6 PCS	3 PCS	15 PCS	9 PCS
60W/24VDC 1500-2500mA	8-13PCS	5-8PCS	3-4PCS	12-20PCS	7-12PCS

