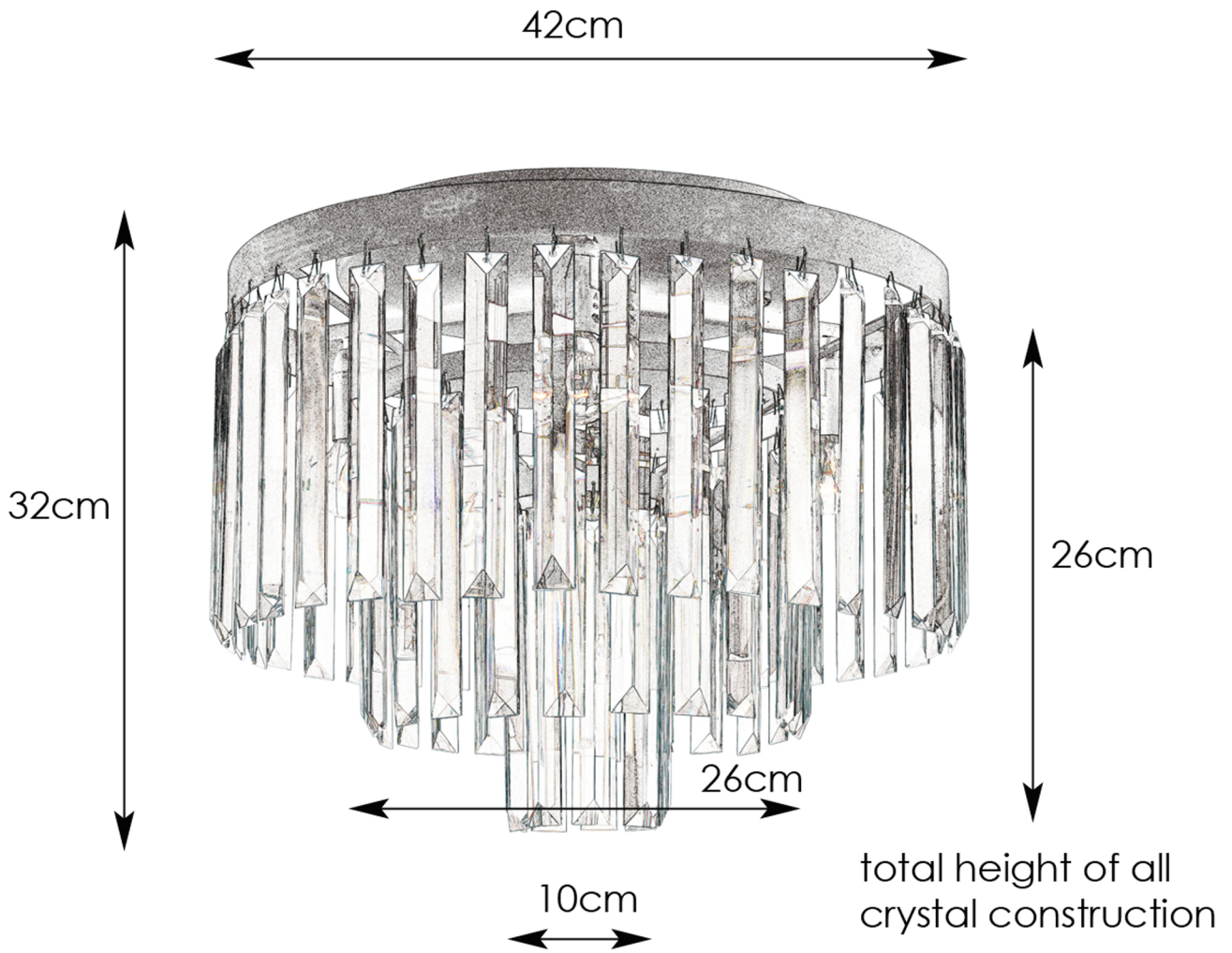


VENTIMIGLIA



height & width of one
crystal element
H-15cm
W-2,2cm