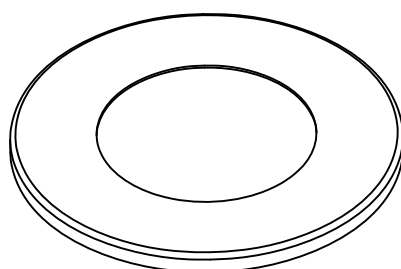
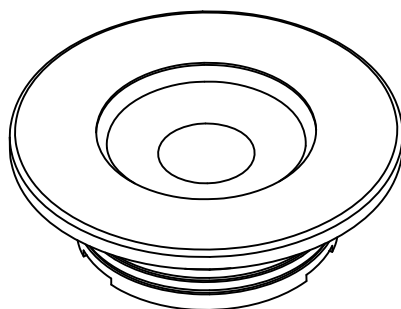


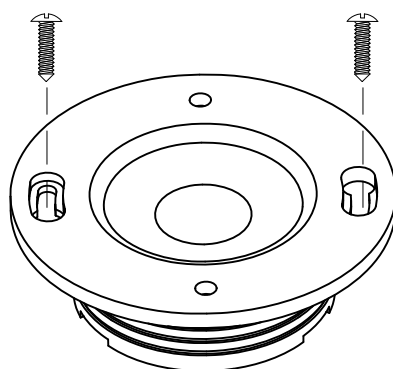
# FREJ

DOWN LIGHT

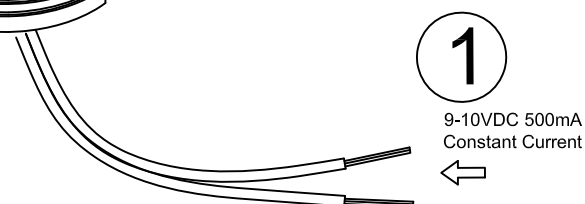
106234



↓ 3



↓ 2



1

9-10VDC 500mA  
Constant Current



Markslojd AB  
Granevägen 5 S-511 62 Skene  
Sweden  
[www.markslojd.com](http://www.markslojd.com)

