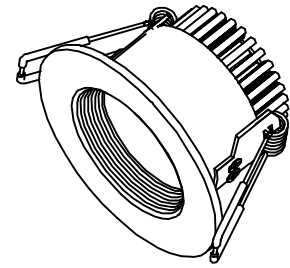
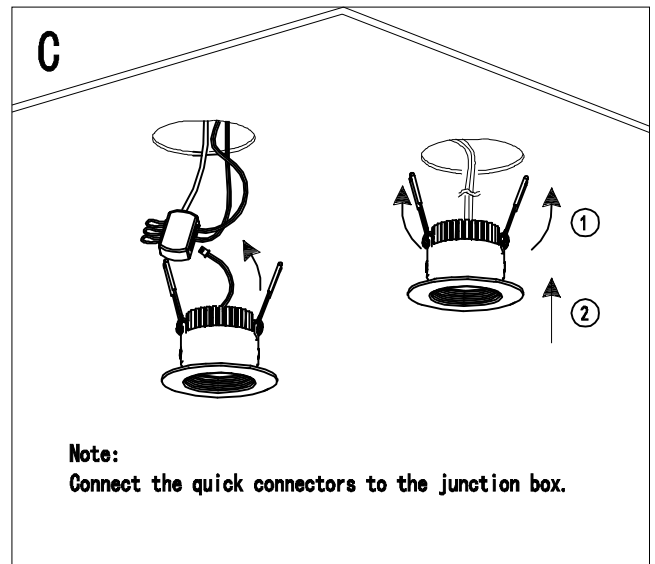
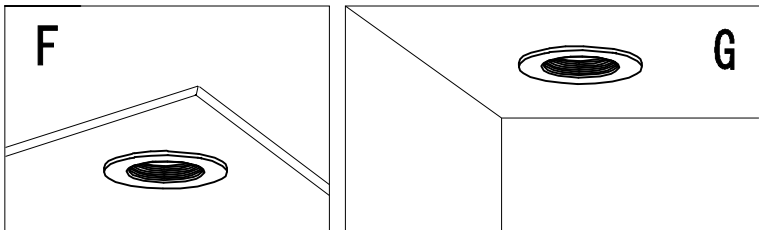
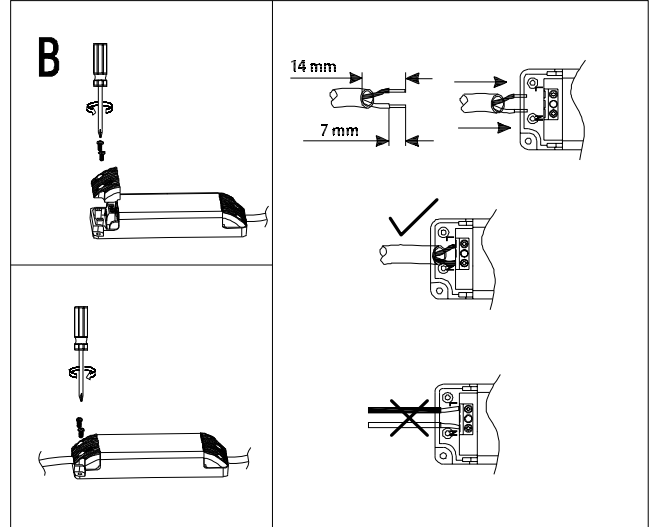
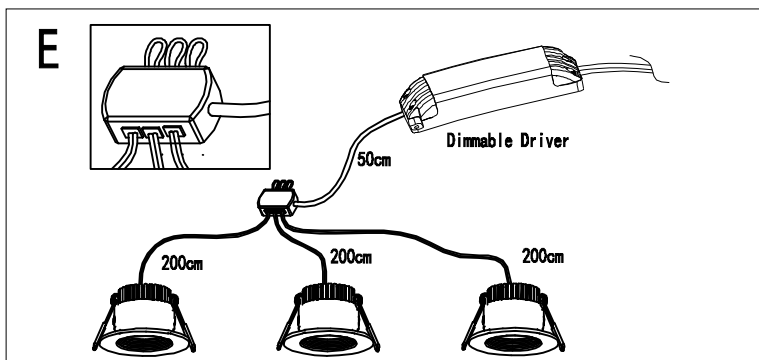
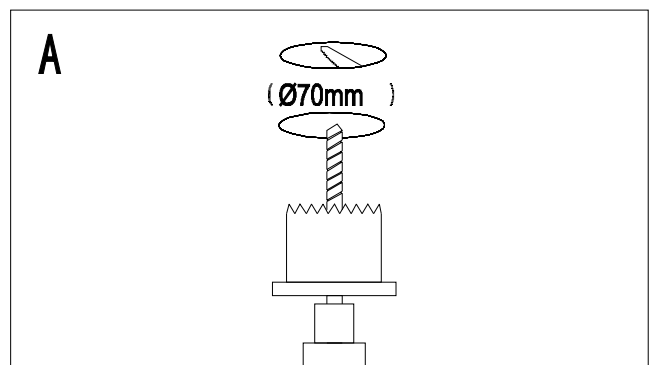
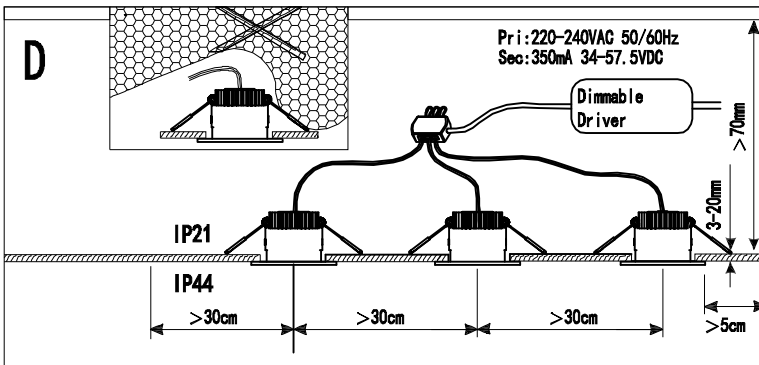
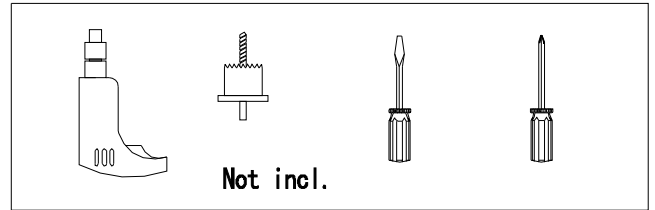
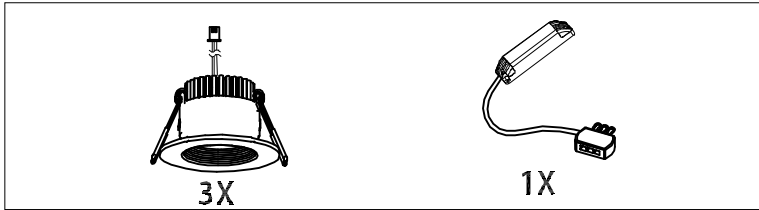


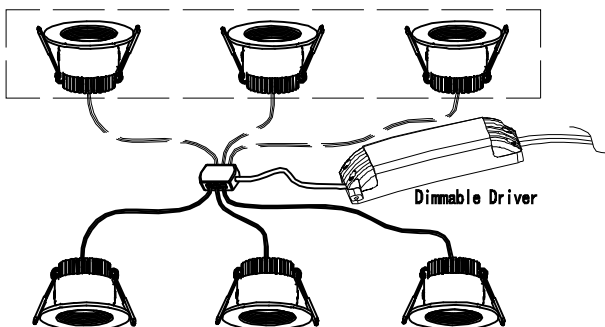
Markslöjd AB Gränevägen 5 S-511 62 Skene
 Sweden



106214 , 106215 ARES
www.markslojd.com



Note:
 1. Its standard set including 3pcs spots only, but it can be use 3-6pcs spots as a system.
 2. If use less than 6pcs spots then the empty ports of the junction box should be insert with circuit breaker.



Note:
 Connect the quick connectors to the junction box.