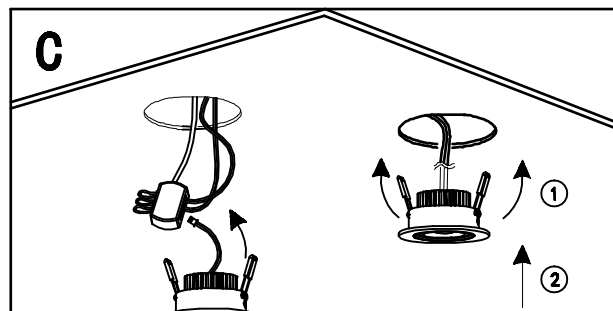
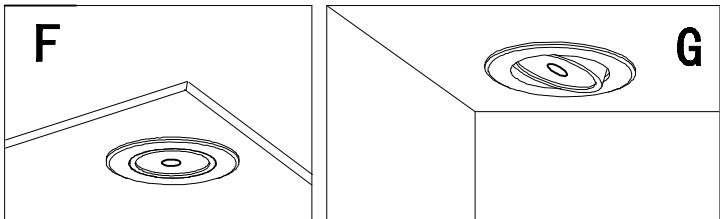
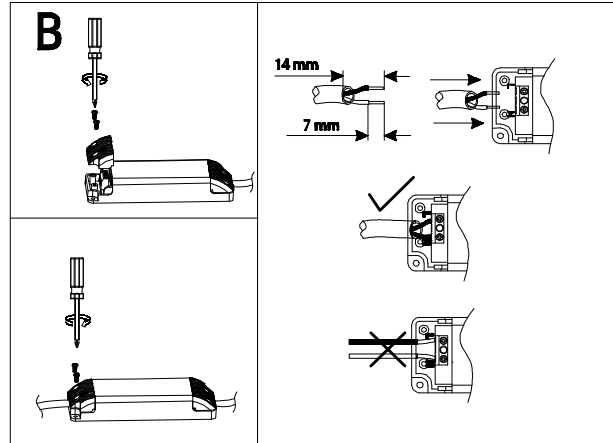
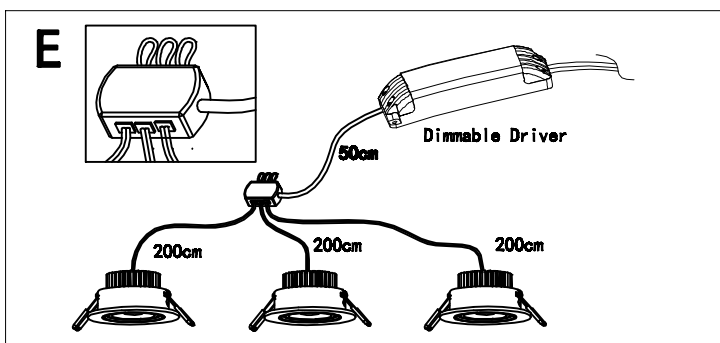
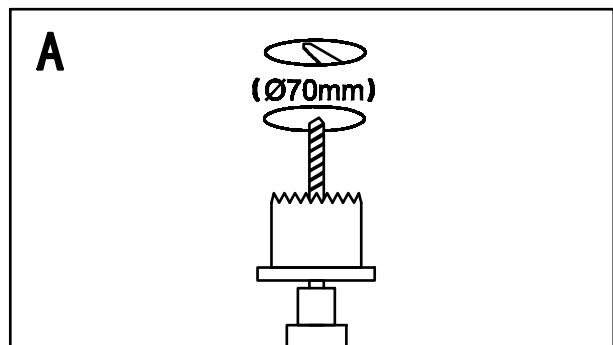
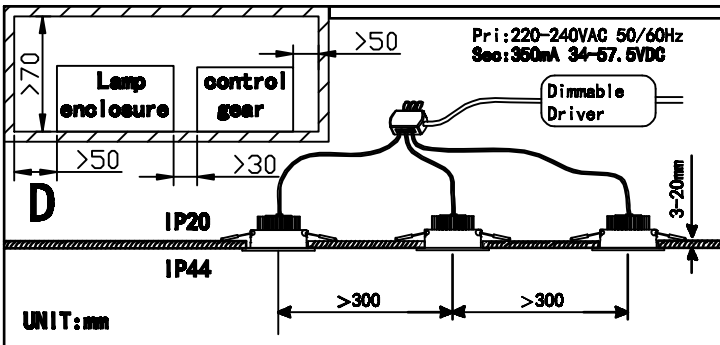
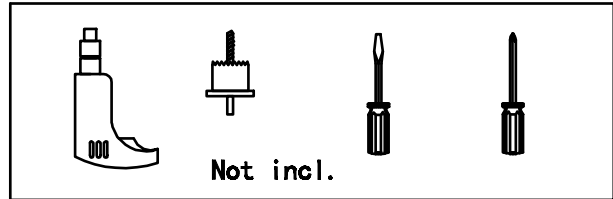
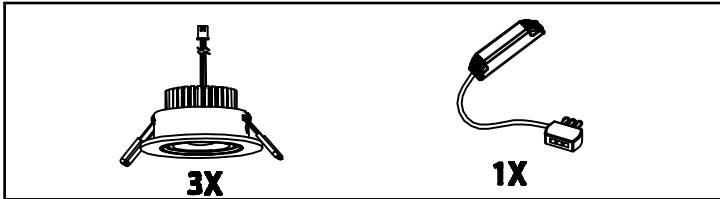
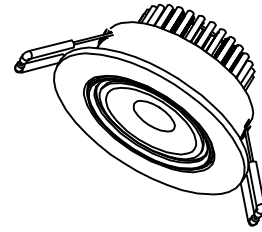


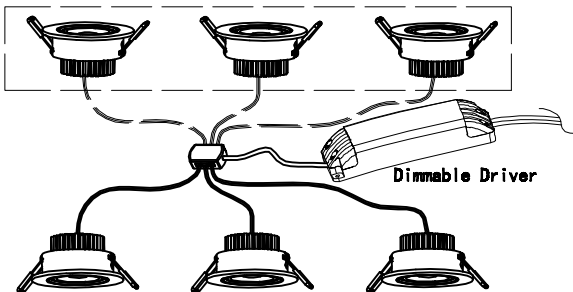
Markslöjd AB Gränevägen 5 S-511 62 Skene Sweden

106210,106211 HERA  
 www.markslojd.com



**Note:**

1. Its standard set including 3pos spots only, but it can be use 3-6pos spots as a system.
2. If use less than 6pos spots then the empty ports of the junction box should be insert with circuit breaker.



**Note:**

3. Connect the quick connectors to the junction box.
4. The light source of this luminaire is not replaceable; when the light source reaches its end of life the whole luminaire shall be replaced
5. Not suitable for covered by thermal insulated material.