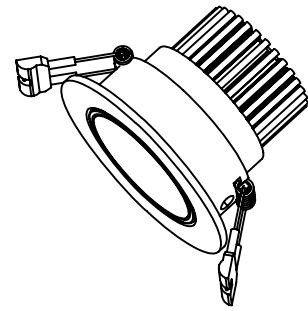
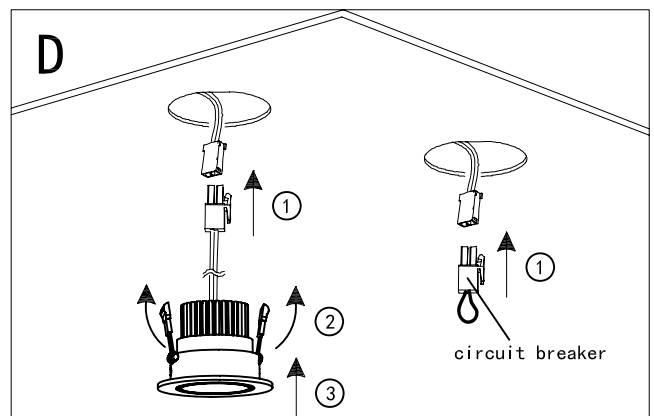
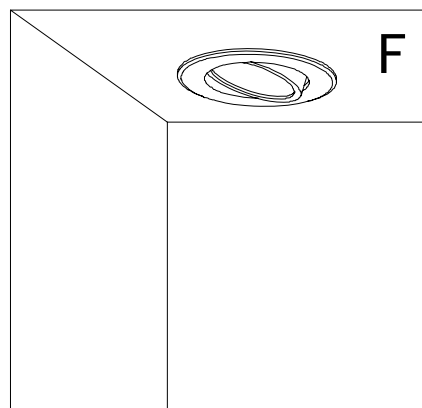
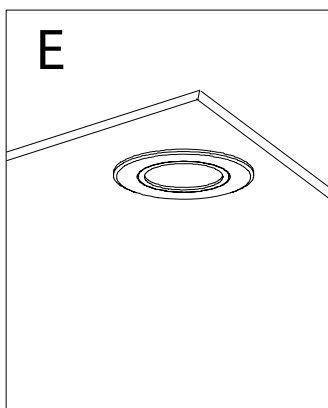
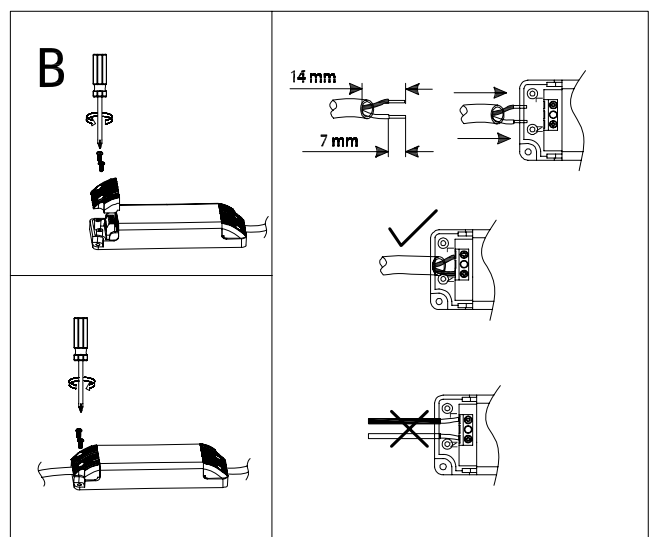
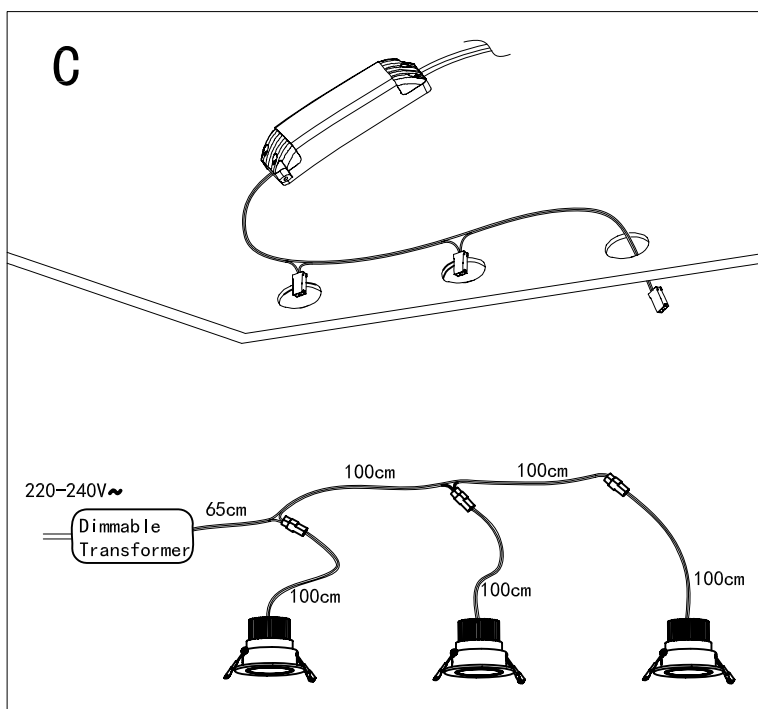
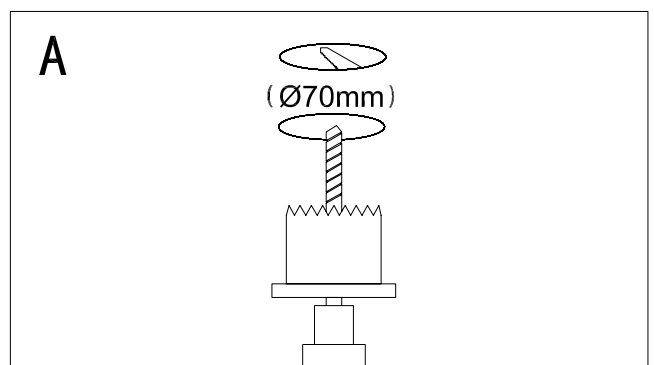
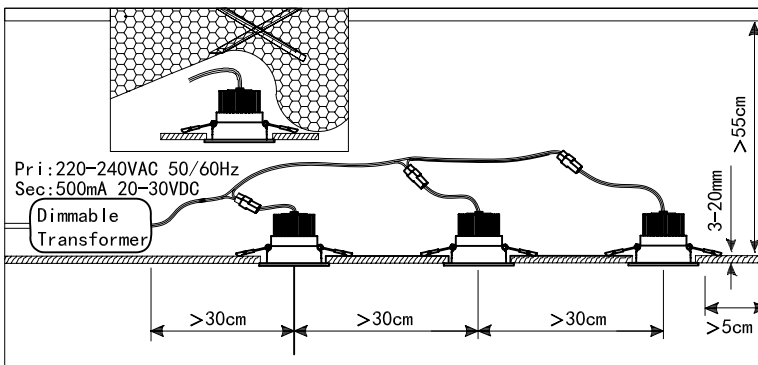
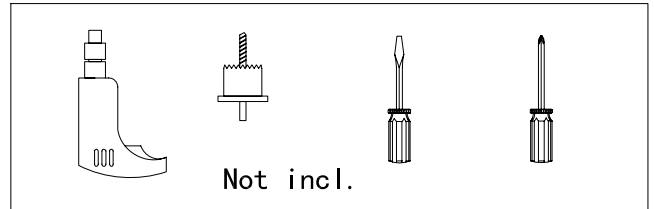
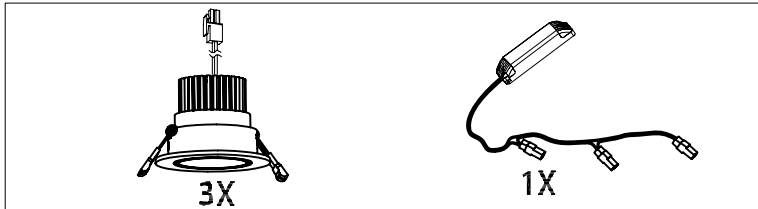


Markslöjd AB Gränevägen 5 S-511 62 Skene  
 Sweden



105951 106004 APOLLO  
[www.markslojd.com](http://www.markslojd.com)



**Note:**  
 Using driver to light up 2 or 3 pcs downlights  
 only, but if 1pcs downlight damage pls do  
 insert circuit breaker to instead of it!